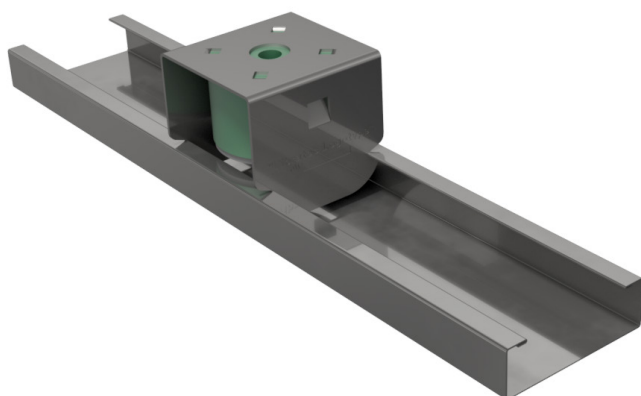
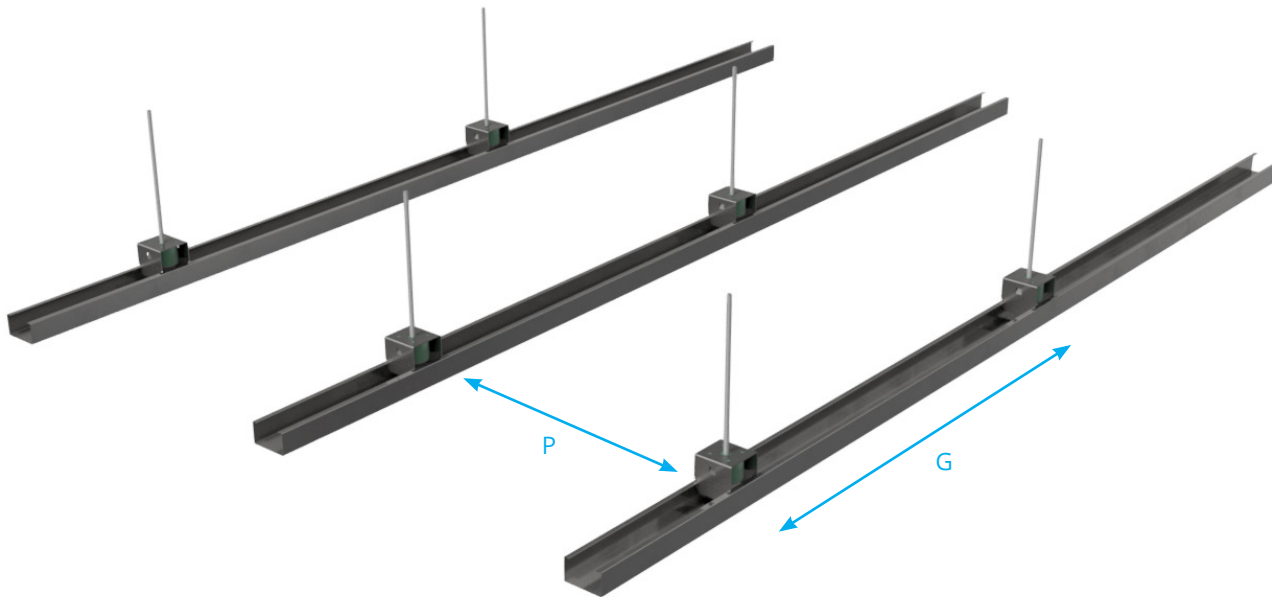
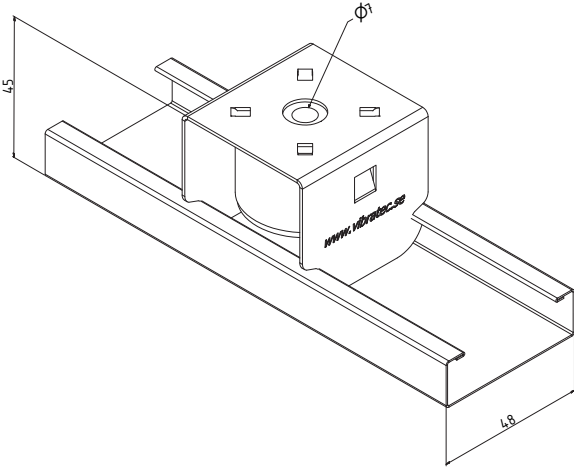
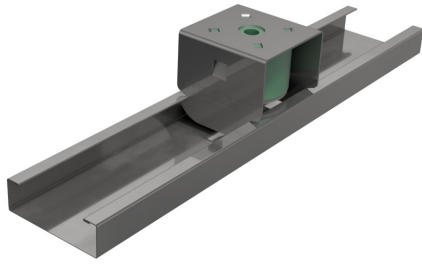


VT-SFC

Single Frame Ceiling System



Vibratec[®]
akustikprodukter



Description

The VT-SFC Single Frame Ceiling System is designed to optimise the sound insulation of suspended ceilings. The system comprises of VT-SFC hangers and profile rails (CD5015).

Characteristics

Deflection: 1-3 mm

Resonance frequency down to 9 Hz.

Installation Guidelines

The hangers are mechanically fixed to the ceiling and the profile rail is clicked on to the hangers. Plasterboard can then be fixed on to the rails. VT-SFC hangers must only be used with the profile rails CD5015 to ensure structural stability of the ceiling. A self adhesive elastic strip VC1001 should be used to isolate the suspended ceiling from surrounding walls to avoid undermining the acoustic integrity of the ceiling.

Mineral wool should be used in the air void to absorb possible standing waves in the void.

SUPPORTS DISTANCE				
Ceiling weight kg/m ²	P (mm)	G (mm)	kg/support	f _n (Hz)
10 - 15	600	1000	6 - 9	14 - 16 Hz
15 - 30	450	900	9 - 12	11 - 14 Hz
30 - 50	450	750	12 - 17	9 - 11 Hz
50 - 75	450	500	12 - 17	9 - 11 Hz

Sweden
Tel: +46 176 20 78 80
e-mail: info@vibratec.se

Norway
Tel: +47 33 07 07 50
e-mail: info@vibratec.no

Denmark
Tel: +45 49 13 22 44
e-mail: info@vibratec.dk

Estonia
Tel: +372 56 66 29 93
e-mail: info@vibratec.ee